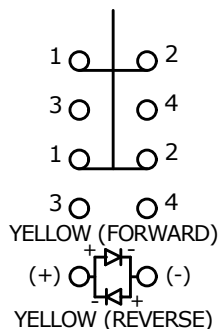
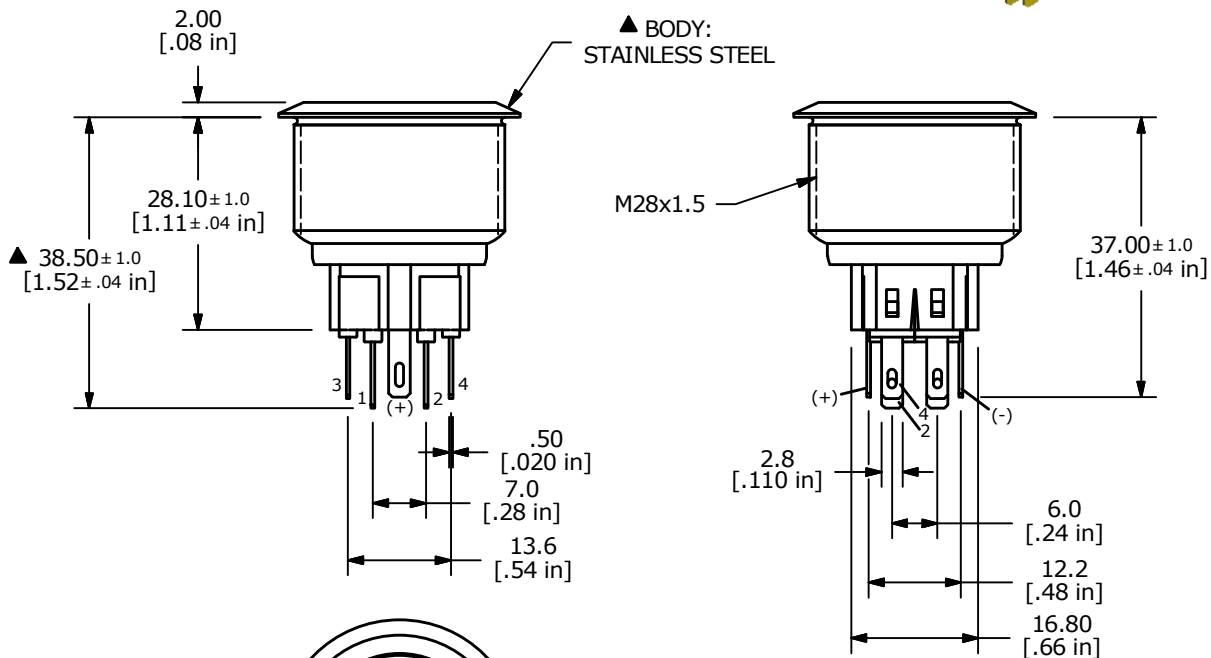


SWITCH FUNCTION	
POS. 1	POS. 2
1-2 ON 3-4 OFF	1-2 (OFF) 3-4 (ON)



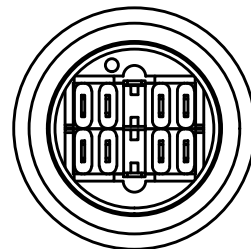
() = MOMENTARY

▲ DPDT ON (OFF) / OFF (ON)
CONTACT CONFIGURATION
() DENOTES MOMENTARY



NOTE:

- ALL DIMENSIONS IN MM [INCH]
- GENERAL TOLERANCE: X.X = ± 0.4
X.XX = ± 0.25
- TERMINAL NUMBERS FOR REF. ONLY
- RATING: 2A @ 48VDC
- CONTACT RESISTANCE: 50mΩ MAX. @ 1A 12VDC
- INSULATION RESISTANCE: 1,000MΩ @ 500VDC
- DIELECTRIC STRENGTH: 2,000VAC MIN. FOR 1 MINUTE
- ELECTRICAL LIFE: 50,000 CYCLES
- OPERATING TEMPERATURE: -20°C to 55°C
- INGRESS PROTECTION: IP66
- ▲ DENOTES CRITICAL PARAMETER
- ▲ 12. SUPPLIED HARDWARE: O-RING AND HEXNUT
- ▲ 13. ILLUMINATION VOLTAGE: 1.8V FORWARD, 1.8V REVERSE



B	23839	UPDATED RATING TO IP66	4/8/19	MJR
A	22770	RELEASE FOR PRODUCTION	3/21/17	MW
REV	PCR NO	DESCRIPTION	DATE	BY

TITLE PV9F2V0SS-351				
SCALE	DATE	DR	DWG	REV
1:1	3/21/2017	MW	52-PV9F2V0SS351	B

THE INFORMATION CONTAINED IN THIS DOCUMENT IS PROPRIETARY TO E-SWITCH AND IS NOT TO BE COPIED OR TRANSFERRED